

# Point of use regulator HP 410

- used for individual solutions with inlet from the back side



## Description:

The HP 410 is a single stage pressure regulator with metal diaphragm construction. It is used as a second stage in a central gas supply system for high purity gases.

The pressure regulator will be supplied with a gauge for indicating working pressure as standard.

## Application area:

The pressure regulator can be combined with our shut-off valve HP 502 and our metering valve HP 503. This pressure regulator is used in gas supply stations HP 400; HP 401; HP 402 and HP 403.

Especially for gases with high requirements on purity to 6.0. Our special cleaning system for the HP Series also guarantees the use for ECD applications.

## Technical details:

Body:	stainless steel 1.4404 electropolished or brass, nickel and matt chrome plated
Seat:	PCTFE
Diaphragm:	1.4435
Leakage rate: against atmosphere	$10^{-8}$ mbar l/s He
Gas purity:	$\leq 6.0$
Max. Inlet pressure:	40 bar
Outlet pressure range:	0,5-3; 1-6 1-10 bar
Operating temp.:	-20°C to +70°C
Gauge:	safety version to EN 837-1 KL1,6
Dimensions (wxhxd):	50 x 105 x 105
Weight:	710g

## Hornung Quality standard

The company Hornung is certified to **DIN EN ISO 9001 and ISO 14001:2009.**

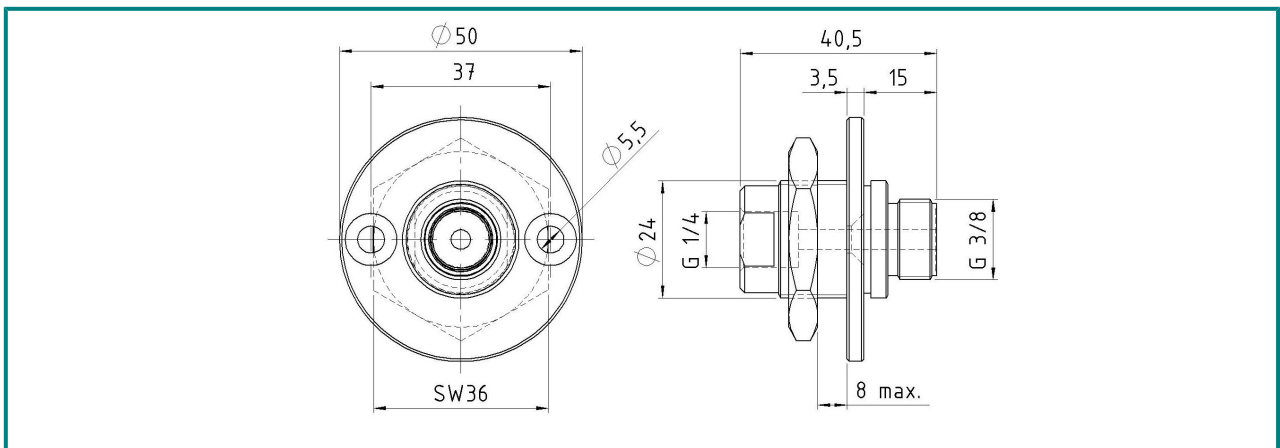
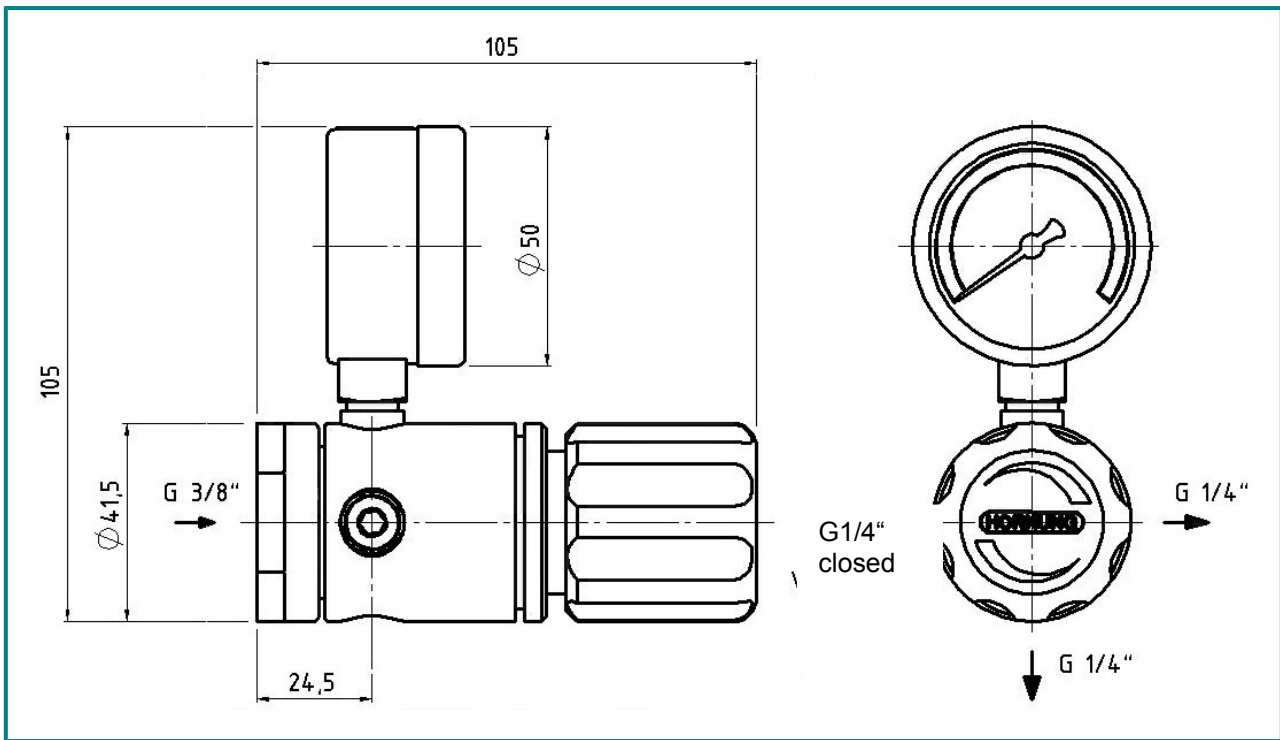
All single parts are manufactured, assembled and tested by in-house production.

The finished parts are therefore under all criteria of German quality control with 100% final inspection.

Hornung GmbH  
Rathenaustraße 55, 63263 Neu-Isenburg

Phone: +49 6102 7883-70  
Fax: +49 6102 7883-40

www.hornung.org  
info@hornung.org



#### Accessories:

See total catalogue segment

5. Diaphragm shut-off and metering valves
7. Gauges, Screw connections, Cylinder holders and accessories

#### Ordering information:

##### Material:

**HP410** = stainless steel electropolished  
**HP410MS** = brass, nickel and matt chrome plated

##### Outlet pressure ranges:

**01** = 0,5 - 3 bar  
**02** = 1 - 6 bar  
**03** = 1 - 10 bar

##### Option on the outlet pressure side:

**03** = compression fitting 3mm  
**06** = compression fitting 6mm  
**08** = compression fitting 8mm

<b>HP410-</b>	<b>02</b>	<b>06</b>	<b>Gas</b>
Type	Pressure	Option	Gas type